

PARTS LIST

[KV-DV7]

* All printed circuit boards and its assemblies are not available as service parts.

Area suffix	
E -----	Continental Europe
J -----	Northern America
UF -----	China
UT -----	Taiwan
US -----	Singapore
A -----	Australia

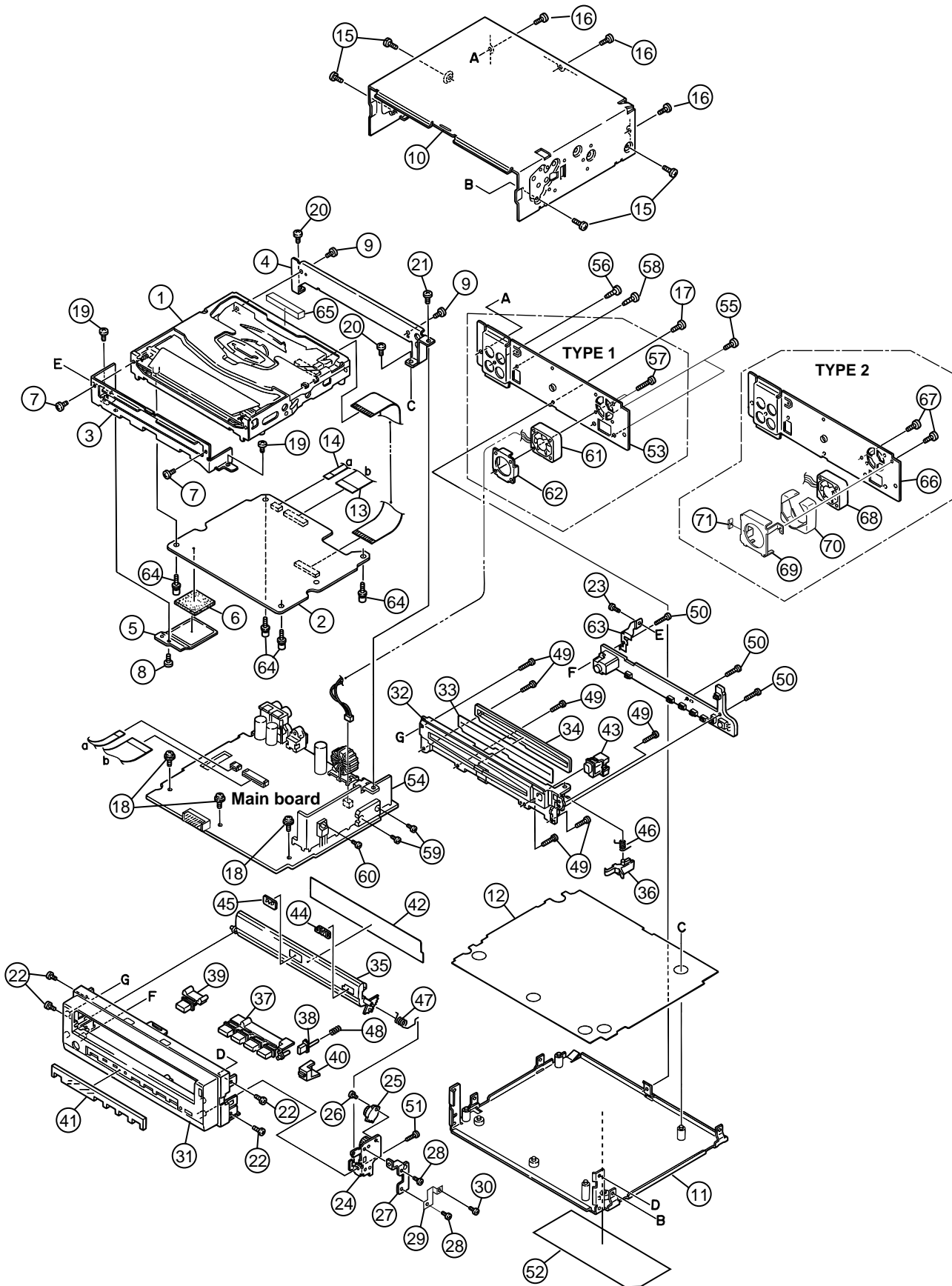
- Contents -

Exploded view of general assembly and parts list	3-2
Electrical parts list	3-5
Packing materials and accessories parts list	3-8

Exploded view of general assembly and parts list

Block No.

M	1	M	M
---	---	---	---



Parts list (General assembly)
Block No. M1MM

△	Item	Parts number	Parts name	Q'ty	Description	Area
	1	BDL1130-001MSV	MECHA FRONTEND	1		
	2	BDL1130-001MA	BACKEND P.W.B.	1		A
		BDL1130-001ME	BACKEND P.W.B.	1		E
		BDL1130-001MJ	BACKEND P.W.B.	1		J
		BDL1130-001MUF	BACKEND P.W.B.	1		UF
		BDL1130-001MUS	BACKEND P.W.B.	1		US
		BDL1130-001MUT	BACKEND P.W.B.	1		UT
	3	LV10475-001A	MECHA BKT(F)	1		
	4	LV10476-001A	MECHA BKT(R)	1		
	5	LV42133-001A	HEAT SINK	1		
	6	LV42205-001A	COOLING RUBBER	1		
	7	QYSDSP2604Z	SCREW	2	ME.BKT(F)+MECHA	
	8	QYSDSP2604Z	SCREW	1	ME.BKT(F)+H.SIN	
	9	QYSDSP2604Z	SCREW	2	ME.BKT(R)+MECHA	
	10	LV10473-001A	TOP COVER	1		
	11	LV32512-002A	B.CHASSIS ASSY	1		
	12	LV32498-001A	INSULATOR	1		
	13	QUQ110-2011BJ	FFC WIRE	1		
	14	QUQ105-0811BJ	FFC WIRE	1		
	15	QYSDST2604N	SCREW	4	TOP.CO.+B.CHASS	
	16	QYSDST2604N	SCREW	3	TOP.CO.+REAR BK	
	17	QYSDST2604N	SCREW	1	B.CHASS+REAR BK	
	18	LV42387-001A	SPECIAL SCREW	3	B.CHASS+MAIN PW	
	19	QYSDSP2604Z	SCREW	2	ME.BKT(F)+B.CHA	
	20	QYSDSP2604Z	SCREW	2	ME.BKT(R)+B.CHA	
	21	QYSDSP2604Z	SCREW	1	M.BKT(R)+IC H.S	
	22	QYSDSP2004Z	SCREW	4	B.CHASS+F.PANEL	
	23	QYSDSP2004Z	SCREW	1	EARTH BKT+ME.BK	
	24	LV42150-001A	DAMPER BKT ASSY	1	D.BKT+GEAR+DAMP	
	25	QZW0066-001	DAMPER	1		
	26	QYSDSP2003Z	SCREW	1	DAMPER+DAMP.BKT	
	27	LV42380-001A	BRACKET	1		
	28	QYSDSP2003Z	SCREW	2	DAM.BKT+BRACKET	
	29	LV42596-001A	EARTH BRACKET	1		
	30	QYSDSP2004Z	SCREW	1		
	31	LV10477-001A	FRONT PANEL	1		
	32	LV32520-001A	P.HOLDER ASSY	1		
	33	LV42135-002A	BLIND	1		
	34	LV32515-001A	DISC GUIDE	1		
	35	LV20946-001A	DOOR	1	1/2/3/4/5/6	
	36	LV32494-001A	LOCK LEVER	1		
	37	LV32491-001A	PUSH BUTTON	1		
	38	LV32492-001A	RELEASE BUTTON	1		
	39	LV32513-001A	POWER BUTTON	1		
	40	LV32495-001A	REMOCON LENS	1		
	41	LV32496-001A	FINDER	1		
	42	LV32505-001A	DOOR PLATE	1		
	43	LV32493-001A	EJECT BUTTON	1		

■ Parts list (General assembly)

Block No. M1MM

△	Item	Parts number	Parts name	Q'ty	Description	Area
	44	LV42021-001A	JVC BUDGE	1		
	45	LE40564-002A	MARK	1		
	46	LV42138-001A	T.SPRING(D00R)	1		
	47	LV42139-001A	T.SPRING(LOCK)	1		
	48	LV42140-001A	COM.SP(RELE.BU)	1		
	49	VKZ4777-003	MINI SCREW	6	FRONT+REAR	
	50	VKZ4777-003	MINI SCREW	3	F.PANEL+SW.PWB	
	51	QYSDSF2006Z	SCREW	1	F.PANEL+DAM.BKT	
	52	LV32503-001A	NAME PLATE	1		J
		LV33089-001A	NAME PLATE	1		A
		LV33090-001A	NAME PLATE	1		US
		LV33090-002A	NAME PLATE	1		UT
		LV33090-003A	NAME PLATE	1		UF
		LV32847-001A	NAME PLATE	1		E
	53	LV32489-001A	REAR BRACKET	1	TYPE 1	
	54	LV32571-001A	RE.IC HEAT SINK	1		
	55	QYSDSP2604Z	SCREW	2	REAR+POWER CN	
	56	QYSDSF3008Z	SCREW	1	REAR+PIN JACK	
	57	QYSDST2614Z	SCREW	2	TYPE 1	
	58	QYSDSF3008Z	SCREW	1	REAR+ OPT.OUT	
	59	QYSPSPD2610Z	SCREW	2	H.SINK(IC)+IC	
	60	QYSPSPD2608Z	SCREW	1	H.SINK(RE)+REG	
	61	QAR0145-001	FAN MOTOR	1	TYPE 1	
	62	LV41675-001A	FAN BRACKET	1	TYPE 1	
	63	LV42500-001A	EARTH BRACKET	1		
	64	VHD1420-1	SCREW	4		
	65	LV42620-001A	SHIELD PLATE	1		J
	66	LV32489-002A	REAR BRACKET	1	TYPE 2	
	67	QYSPST2604Z	SCREW	2	TYPE 2	
	68	QAR0145-002	FAN MOTOR	1	TYPE 2	
	69	LV42629-001A	FAN BRACKET	1	TYPE 2	
	70	QZW0074-001	DAMPER	1	TYPE 2	
	71	LV40847-002A	SPACER	1	TYPE 2	

Please change parts written as type 2 at the same time when you exchange fan motor by the set to serial number until 086*****.

(FAN MOTOR,REAR BRACKET,SCREW,FAN BRACKET,DAMPER and SPACER)

■ Electrical parts list (Main board)

Block No. 01

Item	Parts number	Parts name	Remarks	Area	Item	Parts number	Parts name	Remarks	Area
C 101	QEKJ1AM-107Z	E CAPACITOR	100MF 20% 10V		C 801	NBE21AM-106X	E CAPACITOR		
C 102	NCB31CK-104X	C CAPACITOR			C 802	NQR0202-001X	FERRITE BEADS	AGND-DGND(SGND)	
C 111	QEKJ1EM-475Z	E CAPACITOR	4.7MF 20% 25V		C 901	QEZ0337-228	E CAPACITOR	2200MF	
C 112	NCS31HJ-181X	C CAPACITOR			C 911	QEKJ1HM-225Z	E CAPACITOR	2.2MF 20% 50V	
C 113	NCS31HJ-561X	C CAPACITOR			C 912	QEKJ1CM-476Z	E CAPACITOR	47MF 20% 16V	
C 114	NCS31HJ-471X	C CAPACITOR			C 913	QERF1AM-227Z	E CAPACITOR	220MF 20% 10V	
C 115	NCS31HJ-101X	C CAPACITOR			C 914	NCB31HK-103X	C CAPACITOR		
C 116	QEKJ1EM-475Z	E CAPACITOR	4.7MF 20% 25V		C 915	QERF1AM-227Z	E CAPACITOR	220MF 20% 10V	
C 117	QEKJ0JM-476Z	E CAPACITOR	47MF 20% 6.3V		C 916	QEKJ1CM-106Z	E CAPACITOR	10MF 20% 16V	
C 118	NCS31HJ-471X	C CAPACITOR			C 917	QETN0JM-228Z	E CAPACITOR	2200MF 20% 6.3V	
C 131	QEKJ1AM-107Z	E CAPACITOR	100MF 20% 10V		C 919	NCB31CK-104X	C CAPACITOR		
C 132	NCB31CK-104X	C CAPACITOR			C 951	QEMT1EM-567	E CAPACITOR	560MF 20% 25V	
C 141	QEKJ1EM-475Z	E CAPACITOR	4.7MF 20% 25V		C 952	NCB31CK-104X	C CAPACITOR		
C 142	NCB31AK-224X	C CAPACITOR			C 953	NCB31CK-104X	C CAPACITOR		
C 143	NCB31HK-122X	C CAPACITOR			C 954	NCB31EK-153X	C CAPACITOR		
C 144	QEKJ1EM-475Z	E CAPACITOR	4.7MF 20% 25V		C 955	QEMT1EM-477	E CAPACITOR	470MF 20% 25V	
C 151	QEKJ1AM-107Z	E CAPACITOR	100MF 20% 10V		C 956	QERF1AM-227Z	E CAPACITOR	220MF 20% 10V	
C 152	NCB31CK-104X	C CAPACITOR			C 957	QERF1AM-227Z	E CAPACITOR	220MF 20% 10V	
C 161	NCS31HJ-221X	C CAPACITOR			C 961	QEKJ1AM-107Z	E CAPACITOR	100MF 20% 10V	
C 162	NCS31HJ-101X	C CAPACITOR			C 962	NCB31CK-104X	C CAPACITOR		
C 163	NCS31HJ-151X	C CAPACITOR			C 963	QERF1AM-227Z	E CAPACITOR	220MF 20% 10V	
C 164	QERF1AM-227Z	E CAPACITOR	220MF 20% 10V		C 964	NCB31CK-104X	C CAPACITOR		
C 171	NCB31HK-103X	C CAPACITOR			C 971	QEKJ1CM-106Z	E CAPACITOR	10MF 20% 16V	
C 172	NCS31HJ-471X	C CAPACITOR			C 972	NCB31CK-104X	C CAPACITOR		
C 211	QEKJ1EM-475Z	E CAPACITOR	4.7MF 20% 25V		C 973	QEKJ1AM-107Z	E CAPACITOR	100MF 20% 10V	
C 212	NCS31HJ-181X	C CAPACITOR			CN701	QGF1013F1-20X	CONNECTOR		
C 213	NCS31HJ-561X	C CAPACITOR			CN721	QGF0503F4-08X	CONNECTOR CM		
C 214	NCS31HJ-471X	C CAPACITOR			CN781	QGA2001C1-02	2P PLUG ASSY		
C 215	NCS31HJ-101X	C CAPACITOR			CN801	QGB1218J2-16	CONNECTOR		
C 216	QEKJ1EM-475Z	E CAPACITOR	4.7MF 20% 25V		CN891	QGB1218K1-16	CONNECTOR		
C 217	QEKJ0JM-476Z	E CAPACITOR	47MF 20% 6.3V		CN901	QNZ0506-001	CAR CONNECTOR		
C 218	NCS31HJ-471X	C CAPACITOR			D 121	DAP202K-X	D.TRANSISTOR		
C 241	QEKJ1EM-475Z	E CAPACITOR	4.7MF 20% 25V		D 171	DAP202K-X	D.TRANSISTOR		
C 242	NCB31AK-224X	C CAPACITOR			D 401	1SS355-X	DIODE		
C 243	NCB31HK-122X	C CAPACITOR			D 403	UDZ11B-X	Z.DIODE		
C 244	QEKJ1EM-475Z	E CAPACITOR	4.7MF 20% 25V		D 741	1SS355-X	DIODE		
C 261	NCS31HJ-221X	C CAPACITOR			D 781	UDZ12B-X	Z DIODE		
C 262	NCS31HJ-101X	C CAPACITOR			D 801	1SS355-X	DIODE		
C 263	NCS31HJ-151X	C CAPACITOR			D 811	SML-310LT/MN/-X	LED	DVD	
C 264	QERF1AM-227Z	E CAPACITOR	220MF 20% 10V		D 812	SML-310LT/MN/-X	LED	CD/VCD	
C 271	NCB31HK-103X	C CAPACITOR			D 813	SML-310LT/MN/-X	LED		
C 272	NCS31HJ-471X	C CAPACITOR			D 814	SML-310LT/MN/-X	LED	DISC IN	
C 301	QERF1AM-227Z	E CAPACITOR	220MF 20% 10V		D 821	SML-310LT/MN/-X	LED	EJECT	
C 302	NCB31CK-473X	C CAPACITOR			D 822	SML-310LT/MN/-X	LED	POWER	
C 303	QCZ0205-155Z	ML C CAPACITOR	1.5MF		D 823	SML-310LT/MN/-X	LED	PLAY	
C 304	QETM1AM-228	E CAPACITOR	2200MF 20% 10V		D 824	SML-310LT/MN/-X	LED	STOP	
C 305	QCZ0205-155Z	ML C CAPACITOR	1.5MF		D 825	SML-310LT/MN/-X	LED	F.SKIP	
C 306	QETM1AM-228	E CAPACITOR	2200MF 20% 10V		D 826	SML-310LT/MN/-X	LED	B.SKIP	
C 401	QEKJ1CM-107Z	E CAPACITOR	100MF 20% 16V		D 901	1N5404-TU-15	DIODE		
C 501	QEKJ0JM-107Z	E CAPACITOR	100MF 20% 6.3V		D 911	DAP202K-X	D.TRANSISTOR		
C 502	NCB31CK-104X	C CAPACITOR			D 951	RB081L-20-X	SB DIODE		
C 511	NCB31CK-104X	C CAPACITOR			IC101	NJM4580V-X	IC		
C 701	QEKJ1AM-107Z	E CAPACITOR	100MF 20% 10V		IC131	TC9260F-X	IC		
C 702	NCB31CK-104X	C CAPACITOR			IC151	NJM4580V-X	IC		
C 703	NCB31CK-104X	C CAPACITOR			IC301	NJM2267V-X	IC		
C 704	NDC31HJ-220X	C CAPACITOR			IC501	QNZ0487-002	OPTICAL JACK		
C 705	NDC31HJ-220X	C CAPACITOR			IC511	TC7SET08F-X	IC		
C 706	QCB1HK-471Y	C CAPACITOR	470PF 10% 50V		IC701	UPD780058GC-250	IC(MAICON)		
C 741	QEKJ0JM-476Z	E CAPACITOR	47MF 20% 6.3V		IC741	IC-PST9333U-X	IC		
C 742	NCB31CK-104X	C CAPACITOR			IC801	RPM6938-V4	RM.RECEIVER		
C 781	QEKJ1CM-106Z	E CAPACITOR	10MF 20% 16V		IC911	BA4901A-V3	IC		
C 782	NCB31HK-103X	C CAPACITOR			IC951	LM2596S-ADJ-W	IC		
C 783	QEKJ1CM-106Z	E CAPACITOR	10MF 20% 16V		IC961	PQ05RD21	IC		

■ Electrical parts list (Main board)

Block No. 01

△	Item	Parts number	Parts name	Remarks	Area	△	Item	Parts number	Parts name	Remarks	Area
	IC971	TA78L05F-X	IC				R 175	NRSA63J-102X	MG RESISTOR		
	J 301	QNN0400-002	PIN JACK				R 211	NRSA63J-104X	MG RESISTOR		
	J 801	QNS0185-001	3.5 JACK				R 212	NRSA63J-222X	MG RESISTOR		
	J 861	QNS0026-001	JACK				R 213	NRSA63J-222X	MG RESISTOR		
	L 511	NQL011K-4R7X	INDUCTOR				R 214	NRSA63J-222X	MG RESISTOR		
	L 701	NQL011K-4R7X	INDUCTOR				R 215	NRSA63J-472X	MG RESISTOR		
	L 861	NQR0007-002X	FERRITE BEADS	HP L-CH			R 216	NRSA63J-103X	MG RESISTOR		
	L 862	NQR0007-002X	FERRITE BEADS	HP R-CH			R 217	NRSA63J-471X	MG RESISTOR		
	L 863	NQR0007-002X	FERRITE BEADS	HP AGND			R 218	NRSA63J-223X	MG RESISTOR		
	L 901	QQR0703-001	CHOKE COIL				R 219	NRSA63J-223X	MG RESISTOR		
	L 951	QQL45AK-470	INDUCTOR				R 220	NRSA63J-101X	MG RESISTOR		
	L 952	QQLZ032-4R7	INDUCTOR				R 221	NRSA63J-682X	MG RESISTOR		
	L 953	QQLZ032-4R7	INDUCTOR				R 222	NRSA63J-103X	MG RESISTOR		
	PP 1	QZW0010-001	STYLE PIN				R 241	NRSA63J-474X	MG RESISTOR		
	Q 121	2SD1048/6-7/-X	TRANSISTOR				R 242	NRSA63J-563X	MG RESISTOR		
	Q 171	2SD1048/6-7/-X	TRANSISTOR				R 243	NRSA63J-682X	MG RESISTOR		
	Q 172	2SD1048/6-7/-X	TRANSISTOR				R 261	NRSA63J-104X	MG RESISTOR		
	Q 221	2SD1048/6-7/-X	TRANSISTOR				R 262	NRSA63J-472X	MG RESISTOR		
	Q 271	2SD1048/6-7/-X	TRANSISTOR				R 263	NRSA63J-682X	MG RESISTOR		
	Q 272	2SD1048/6-7/-X	TRANSISTOR				R 264	NRSA63J-183X	MG RESISTOR		
	Q 401	2SA1037AK/RS/-X	TRANSISTOR				R 265	NRSA63J-102X	MG RESISTOR		
	Q 402	UN2211-X	TRANSISTOR				R 271	NRSA63J-390X	MG RESISTOR		
	Q 403	UN2111-X	TRANSISTOR				R 272	NRSA63J-220X	MG RESISTOR		
	Q 781	2SD1994A/RS/-T	TRANSISTOR				R 273	NRSA63J-0R0X	MG RESISTOR		
	Q 782	UN2111-X	TRANSISTOR				R 274	NRSA63J-102X	MG RESISTOR		
	Q 811	UN2211-X	TRANSISTOR				R 275	NRSA63J-102X	MG RESISTOR		
	Q 812	UN2211-X	TRANSISTOR				R 301	NRSA63J-750X	MG RESISTOR		
	Q 813	UN2211-X	TRANSISTOR				R 302	NRSA63J-750X	MG RESISTOR		
	Q 814	UN2211-X	TRANSISTOR				R 303	NRSA63J-750X	MG RESISTOR		
	Q 911	2SB1322/RS/-T	TRANSISTOR				R 304	NRSA63J-102X	MG RESISTOR		
	Q 921	2SC2412K/R/-X	TRANSISTOR				R 305	NRSA63J-102X	MG RESISTOR		
	Q 922	2SA1037AK/RS/-X	TRANSISTOR				R 309	NRSA63J-100X	MG RESISTOR		
	Q 931	2SA1037AK/RS/-X	TRANSISTOR				R 313	NRSA63J-0R0X	MG RESISTOR		
	Q 932	UN2211-X	TRANSISTOR				R 314	NRSA63J-0R0X	MG RESISTOR		
	Q 941	UN2111-X	TRANSISTOR				R 401	NRSA63J-223X	MG RESISTOR		
	Q 942	UN2211-X	TRANSISTOR				R 402	NRSA63J-222X	MG RESISTOR		
	R 101	NRSA63J-100X	MG RESISTOR				R 511	NRSA63J-100X	MG RESISTOR		
	R 111	NRSA63J-104X	MG RESISTOR				R 603	NRSA63J-392X	MG RESISTOR		
	R 112	NRSA63J-222X	MG RESISTOR				R 701	NRSA63J-472X	MG RESISTOR		
	R 113	NRSA63J-222X	MG RESISTOR				R 702	NRSA63J-222X	MG RESISTOR		
	R 114	NRSA63J-222X	MG RESISTOR				R 703	NRSA63J-222X	MG RESISTOR		
	R 115	NRSA63J-472X	MG RESISTOR				R 704	NRSA63J-331X	MG RESISTOR		
	R 116	NRSA63J-103X	MG RESISTOR				R 705	NRSA63J-331X	MG RESISTOR		
	R 117	NRSA63J-471X	MG RESISTOR				R 706	NRSA63J-331X	MG RESISTOR		
	R 118	NRSA63J-223X	MG RESISTOR				R 707	NRSA63J-222X	MG RESISTOR		
	R 119	NRSA63J-223X	MG RESISTOR				R 708	NRSA63J-222X	MG RESISTOR		
	R 120	NRSA63J-101X	MG RESISTOR				R 709	NRSA63J-331X	MG RESISTOR		
	R 121	NRSA63J-682X	MG RESISTOR				R 710	NRSA63J-331X	MG RESISTOR		
	R 122	NRSA63J-103X	MG RESISTOR				R 711	NRSA63J-331X	MG RESISTOR		
	R 131	NRSA63J-100X	MG RESISTOR				R 714	NRSA63J-473X	MG RESISTOR		
	R 141	NRSA63J-474X	MG RESISTOR				R 716	NRSA63J-473X	MG RESISTOR		
	R 142	NRSA63J-563X	MG RESISTOR				R 718	NRSA63J-473X	MG RESISTOR		
	R 143	NRSA63J-682X	MG RESISTOR				R 720	NRSA63J-473X	MG RESISTOR		
	R 151	NRSA63J-100X	MG RESISTOR				R 723	NRSA63J-473X	MG RESISTOR		
	R 161	NRSA63J-104X	MG RESISTOR				R 725	NRSA63J-473X	MG RESISTOR		
	R 162	NRSA63J-472X	MG RESISTOR				R 726	NRSA63J-472X	MG RESISTOR		
	R 163	NRSA63J-682X	MG RESISTOR				R 727	NRSA63J-103X	MG RESISTOR		
	R 164	NRSA63J-183X	MG RESISTOR				R 728	NRSA63J-472X	MG RESISTOR		
	R 165	NRSA63J-102X	MG RESISTOR				R 729	NRSA63J-103X	MG RESISTOR		
	R 171	NRSA63J-390X	MG RESISTOR				R 730	NRSA63J-472X	MG RESISTOR		
	R 172	NRSA63J-220X	MG RESISTOR				R 731	NRSA63J-103X	MG RESISTOR		
	R 173	NRSA63J-0R0X	MG RESISTOR				R 732	NRSA63J-472X	MG RESISTOR		
	R 174	NRSA63J-102X	MG RESISTOR				R 733	NRSA63J-103X	MG RESISTOR		

■ Electrical parts list (Main board)

Block No. 01

△	Item	Parts number	Parts name	Remarks	Area
	R 734	NRSA63J-472X	MG RESISTOR		
	R 735	NRSA63J-103X	MG RESISTOR		
	R 736	NRSA63J-331X	MG RESISTOR		
	R 737	NRSA63J-473X	MG RESISTOR		
	R 741	NRSA63J-222X	MG RESISTOR		
	R 742	NRSA63J-473X	MG RESISTOR		
	R 751	NRSA63J-102X	MG RESISTOR		
	R 765	NRSA63J-473X	MG RESISTOR		
	R 766	NRSA63J-223X	MG RESISTOR		
	R 769	NRSA63J-473X	MG RESISTOR		
	R 770	NRSA63J-223X	MG RESISTOR		
	R 772	NRSA63J-104X	MG RESISTOR		
	R 774	NRSA63J-272X	MG RESISTOR		
	R 781	NRSA63J-471X	MG RESISTOR		
	R 782	NRSA63J-100X	MG RESISTOR		
	R 791	NRSA63J-103X	MG RESISTOR		
	R 795	NRSA63J-473X	MG RESISTOR		
	R 799	NRSA63J-473X	MG RESISTOR		
	R 801	NRSA63J-0R0X	MG RESISTOR		
	R 802	NRSA63J-471X	MG RESISTOR		
	R 803	NRS181J-121X	MG RESISTOR		
	R 804	NRS181J-121X	MG RESISTOR		
	R 805	NRSA63J-103X	MG RESISTOR		
	R 807	NRSA63J-103X	MG RESISTOR		
	R 811	NRS181J-821X	MG RESISTOR		
	R 812	NRS181J-821X	MG RESISTOR		
	R 813	NRS181J-561X	MG RESISTOR		
	R 814	NRS181J-821X	MG RESISTOR		
	R 821	NRS181J-221X	MG RESISTOR		
	R 822	NRS181J-331X	MG RESISTOR		
	R 831	NRSA63J-102X	MG RESISTOR		
	R 841	NRSA63J-102X	MG RESISTOR		
	R 851	NRSA63J-102X	MG RESISTOR		
	R 911	QRE142J-102X	C RESISTOR	1.0K 5% 1/4W	
	R 912	NRSA63J-912X	MG RESISTOR		
	R 913	NRSA63J-512X	MG RESISTOR		
	R 914	NRSA63J-104X	MG RESISTOR		
	R 915	NRSA63J-104X	MG RESISTOR		
	R 916	NRSA63J-223X	MG RESISTOR		
	R 917	NRSA63J-152X	MG RESISTOR		
	R 918	NRSA63J-0R0X	MG RESISTOR		
	R 919	NRSA63J-223X	MG RESISTOR		
	R 920	NRSA63J-272X	MG RESISTOR		
	R 921	NRSA63J-393X	MG RESISTOR		
	R 922	NRSA63J-683X	MG RESISTOR		
	R 923	NRSA63J-273X	MG RESISTOR		
	R 924	NRSA63J-473X	MG RESISTOR		
	R 931	NRSA63J-473X	MG RESISTOR		
	R 932	NRSA63J-222X	MG RESISTOR		
	R 951	NRSA63J-222X	MG RESISTOR		
	R 952	NRSA63J-471X	MG RESISTOR		
	R 953	NRSA63J-223X	MG RESISTOR		
	S 811	NSW0124-001X	TACT SWITCH	POWER	
	S 812	NSW0124-001X	TACT SWITCH	EJECT	
	S 821	NSW0124-001X	TACT SWITCH	PLAY	
	S 822	NSW0124-001X	TACT SWITCH	F.SKIP/SEARCH	
	S 831	NSW0124-001X	TACT SWITCH	STOP	
	S 832	NSW0124-001X	TACT SWITCH	B.SKIP/SEARCH	
	S 841	NSW0124-001X	TACT SWITCH	RESET	
	TH701	NAD0021-103X	THERMISTOR		
	X 701	QAX0414-001Z	CRYSTAL		

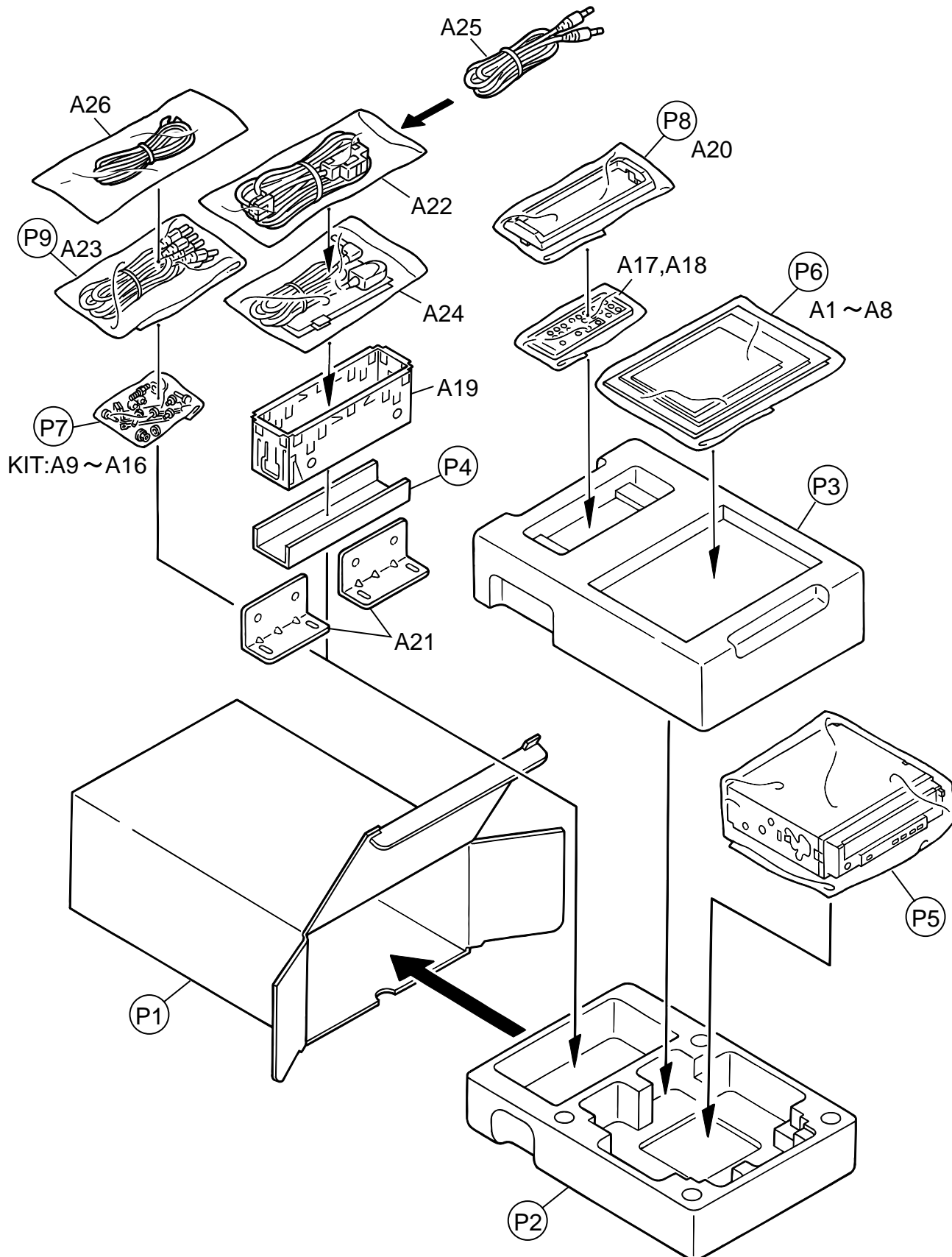
Packing materials and accessories parts list

Block No.

M	2	M	M
---	---	---	---

Block No.

M	3	M	M
---	---	---	---



■ Parts list (Packing)

Block No. M2MM

△	Item	Parts number	Parts name	Q'ty	Description	Area
	P 1	LV32504-001A	CARTON	1		
	P 2	LV10479-001A	CUSHION(L)	1		
	P 3	LV10480-001A	CUSHION(R)	1		
	P 4	LV42522-001A	PROTECTOR(SLEEV	1		
	P 5	VPE3005-064	POLY BAG	1	SET	
	P 6	QPA01703505P	POLY BAG	1		
	P 7	QPA00801205	POLY BAG	1		
	P 8	QPA01003003	POLY BAG	1	FOR TRIM PLATE	
	P 9	QPA01203505	ENVELOPE	1	FOR PIN CODE	

■ Parts list (Accessories)

Block No. M3MM

△	Item	Parts number	Parts name	Q'ty	Description	Area
	A 1	LVT0631-003A	INST.BOOK	1	ENG,GER,FRE,DUT	US
		LVT0631-004A	INST.BOOK	1	FIN,ITA,SPA,SWE	US
		LVT0631-005A	INST.BOOK	1	ENG,GER,FRE,DUT	UT
		LVT0631-006A	INST.BOOK	1	FIN,ITA,SPA,SWE	UT
		LVT0631-007A	INST.BOOK	1	ENG,GER,FRE,DUT	A
		LVT0631-008A	INST.BOOK	1	FIN,ITA,SPA,SWE	A
		LVT0631-009A	INST.BOOK	1	ENG,GER,FRE,DUT	UF
		LVT0631-010A	INST.BOOK	1	FIN,ITA,SPA,SWE	UF
		LVT0590-001A	INST.BOOK	1	ENG,FRE,SPA	J
		LVT0631-001A	INST.BOOK	1	ENG,GER,FRE,DUT	E
		LVT0631-002A	INST.BOOK	1	FIN,ITA,SPA,SWE	E
	A 2	LVT0632-001A	INST.MANUAL	1		E,A
		LVT0632-002A	INST.MANUAL	1		E,A
		LVT0591-001A	INST.MANUAL	1		J
		LVT0632-001A	INST.MANUAL	1		US,UT,UF
		LVT0632-002A	INST.MANUAL	1		US,UT,UF
	A 3	BT-52004-1	WARRANTY CARD	1		J
		BT-54013-2	WARRANTY CARD	1		E,A
		BT-51018-2	WARRANTY CARD	1		J
		BT-54013-2	WARRANTY CARD	1		US,UT,UF
	A 4	LV42569-001A	CAUTION SHEET	1		
	A 5	LV42512-001A	INPORTANT SHEET	1		J
	A 6	BT-51020-2	REGISTER CARD	1		J
	A 7	BT-20071B	SERVICE NETWORK	1		J
	A 8	LV41679-001A	INFORMAT.SHEET	1		J
	A 9	VKZ4027-202	PLUG NUT	1		
	A 10	VKH4871-001	MOUNT BOLT	1		
	A 11	VKZ4328-001	LOCK NUT	1		
	A 12	WNS5000Z	WASHER	1		
	A 13	FSKL4010-002	HOOK	2		
	A 14	QYSDSP5006Z	SCREW	5		
	A 15	VKZ4029-003	SCREW	4		
	A 16	QZW0004-001	WIRE CLAMP	1		
	A 17	RM-RK200	REMOCON	1		
	A 18	QAB0014-001	BATTERY	1		
	A 19	FSKM2004-003SSF	MOUNTING SLEEVE	1		
	A 20	LV20938-001A	TRIM PLATE	1		
	A 21	LV32499-001A	MOUNT BKT(L)	2		
△	A 22	QAM0305-001	CAR CABLE	1		
	A 23	QAM0097-001	PIN CODE	1		
	A 24	KV-U4004J	IR RECIEVER	1		
	A 25	QAM0113-001	RM CABLE	1		
	A 26	QAM0362-001	CAR CABLE	1		
	KIT	KVDV7J-SCREW	SCREW KIT	1	A9~A16	